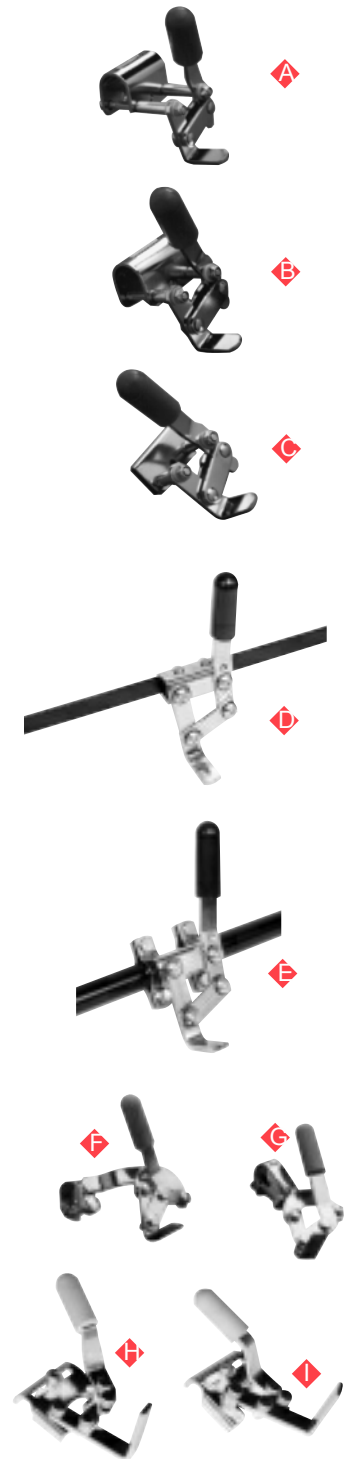


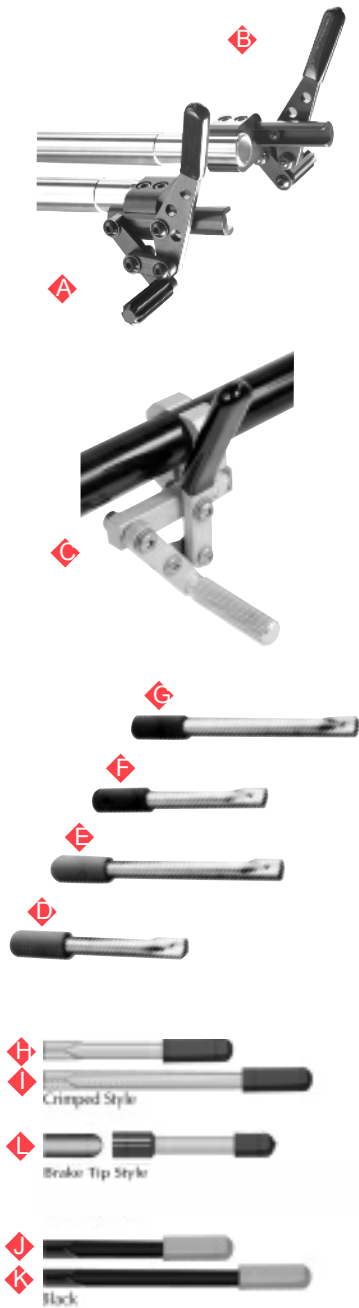
# WHEEL LOCKS

PART#	DESCRIPTION	TOFT
<b>WHEEL LOCKS</b>		
<b>A</b> RP141002	ASSY., WHEEL LOCK, R.H., PUSH TO LOCK	E&J DET. ARMS, 7/8" TBG
RP146002	ASSY., WHEEL LOCK, L.H., PUSH TO LOCK	E&J DET. ARMS, 7/8" TBG
<b>B</b> RP141003	ASSY., WHEEL LOCK, R.H., PUSH TO LOCK	E&J FIXED/WRAP AROUND ARMS, 7/8" TUBING
RP146003	ASSY., WHEEL LOCK, L.H., PUSH TO LOCK	E&J FIXED/WRAP AROUND ARMS, 7/8" TUBING
<b>C</b> RP141004	ASSY., WHEEL LOCK, R.H., PUSH TO LOCK	E&J FLAT STOCK, BAR MOUNT
RP146004	ASSY., WHEEL LOCK, L.H., PUSH TO LOCK	E&J FLAT STOCK, BAR MOUNT
<b>D</b> 741000R	ASSY., WHEEL LOCK, R.H., PUSH TO LOCK CLAMP-ON STYLE	FIXED ARM MODELS WITH BAR MOUNT
741000L	ASSY., WHEEL LOCK, L.H., PUSH TO LOCK CLAMP-ON STYLE	FIXED ARM MODELS WITH BAR MOUNT
<b>E</b> 741050R	ASSY., WHEEL LOCK, R.H., PUSH TO LOCK CLAMP-ON STYLE	MANY DET. ARM MODELS WITH 7/8" TUBING
741050L	ASSY., WHEEL LOCK, L.H., PUSH TO LOCK CLAMP-ON STYLE	MANY DET. ARM MODELS WITH 7/8" TUBING
<b>F</b> RP241001	ASSY., WHEEL LOCK, R.H., PUSH TO LOCK CLAMP-ON STYLE	INVA. DET. ARM MODEL D200, 400, 700, 900, (BEFORE 3/1/86)
RP246001	ASSY., WHEEL LOCK, L.H., PUSH TO LOCK CLAMP-ON STYLE	INVA. DET. ARM MODEL D200, 400, 700, 900, (BEFORE 3/1/86)
<b>G</b> RP241002	ASSY., WHEEL LOCK, R.H., PUSH TO LOCK CLAMP-ON STYLE	INVA. FIXED ARM MODEL D200, 400, 700, 900, (BEFORE 3/1/86)
RP246002	ASSY., WHEEL LOCK, L.H., PUSH TO LOCK CLAMP-ON STYLE	INVA. FIXED ARM MODEL D200, 400, 700, 900, (BEFORE 3/1/86)
<b>H</b> RP241003	ASSY., WHEEL LOCK, R.H., PUSH TO LOCK BOLT-ON STYLE, 7/8" TUBING	INVA. CONVENTIONAL FIXED ARM MODELS 4000, E1000, 1000, WORLD CHAIR, TRACER LX, PLUS, EX, MG, TRANSPORT
RP246003	ASSY., WHEEL LOCK, L.H., PUSH TO LOCK BOLT-ON STYLE, 7/8" TUBING	INVA. CONVENTIONAL FIXED ARM MODELS 4000, E1000, 1000, WORLD CHAIR, TRACER LX, PLUS, EX, MG, TRANSPORT
<b>I</b> RP241004	ASSY., WHEEL LOCK, R.H., PUSH TO LOCK BOLT-ON STYLE, 7/8" TUBING	INVA. CONVENTIONAL DET. ARM MODELS 4000 (BEFORE 1990), E1000, 1000, WORLD CHAIR, TRACER IV, SX, TITAN, EX, DLX, MG, TRANSPORT, LT, LX, LX RECLINER, PLUS
RP246004	ASSY., WHEEL LOCK, L.H., PUSH TO LOCK BOLT-ON STYLE, 7/8" TUBING	INVA. CONVENTIONAL DET. ARM MODELS 4000 (BEFORE 1990), E1000, 1000, WORLD CHAIR, TRACER IV, SX, TITAN, EX, DLX, MG, TRANSPORT, LT, LX, LX RECLINER, PLUS
<b>NEW</b> RP241007	WHEEL LOCK ASSEMBLY, R.H., PUSH TO LOCK ON STYLE, 7/8 TUBING	INVA. CONVENTIONAL, DET. BOLT-ARMS ON: 9000, 9SL, 9XT, 9XDT, 2000 (AFTER 7/ 92), 4000 (AFTER '89)
<b>NEW</b> RP246007	WHEEL LOCK ASSEMBLY, L.H., PUSH TO LOCK BOLT-ON STYLE, 7/8 TUBING	INVA. CONVENTIONAL, DET. ARMS ON: ALL 9000 RIDELITE, 9SL, 9XT, 9XDT, 2000 (AFTER 7/ 92), 4000 (AFTER '89)
<b>NEW</b> RP241009	WHEEL LOCK ASSEMBLY, R.H., PULL TO LOCK (HEMI) BOLT-ON STYLE, 7/8 TUBING	INVA. HEMI CONVENTIONAL, DET. ARMS ON: ALL 9000 RIDELITE, 9SL, 9XT, 9XDT, 2000 (AFTER 7/ 92)
<b>NEW</b> RP246009	WHEEL LOCK ASSEMBLY, L.H., PULL TO LOCK (HEMI) BOLT-ON STYLE, 7/8 TUBING	INVA. HEMI CONVENTIONAL, DET. ARMS ON: ALL 9000 RIDELITE, 9SL, 9XT, 9XDT, 2000 (AFTER 7/ 92)



\*Highlighted areas denote most popular items.

# WHEEL LOCKS



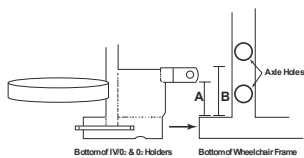
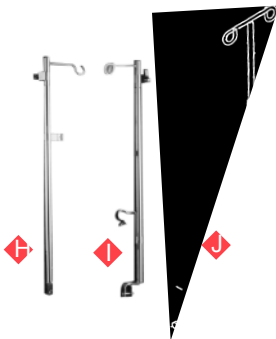
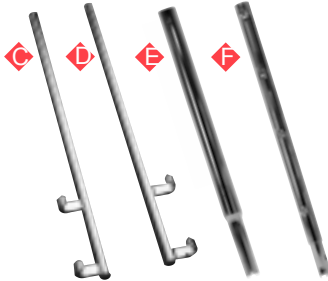
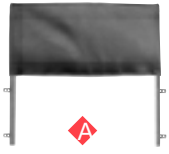
PART#	DESCRIPTION	TOFT	X
<b>WHEEL LOCKS (continued)</b>			
RP241005	ASSY., WHEEL LOCK, R.H., PUSH TO LOCK BOLT-ON STYLE, 7/8" TUBING	INVA. SPACE-SAVER DET. ARMS 2000, PATRIOT SL., 9000, 9000 XT/XDT/SL/ JYMINI	
RP246005	ASSY., WHEEL LOCK, L.H., PUSH TO LOCK BOLT-ON STYLE, 7/8" TUBING	INVA. SPACE-SAVER DET. ARMS 2000, PATRIOT SL., 9000, 9000 XT/XDT/SL/ JYMINI	
RP241008	ASSY., WHEEL LOCK, R.H., PULL TO LOCK BOLT-ON STYLE, 7/8" TUBING	INVA. HEMI SPACE-SAVER DET. ARMS 2000, PATRIOT SL., 9000, 9000 XT/XDT/SL/ JYMINI	
RP246008	ASSY., WHEEL LOCK, L.H., PULL TO LOCK BOLT-ON STYLE, 7/8" TUBING	INVA. HEMI SPACE-SAVER DET. ARMS 2000, PATRIOT SL., 9000, 9000 XT/XDT/SL/ JYMINI	
A RP241006	ASSY., WHEEL LOCK, R.H., PUSH TO LOCK	Ti SPORT, QUICKIE, P2 & OTHER 1" TUBING CHAIRS	
E RP246006	ASSY., WHEEL LOCK, L.H., PUSH TO LOCK	Ti SPORT, QUICKIE, P2 & OTHER 1" TUBING CHAIRS	
C 742000R	ASSY., WHEEL LOCK, R.H., PUSH TO LOCK	QUICKIE & OTHER 7/8" TUBING	
C 742000L	ASSY., WHEEL LOCK, L.H., PUSH TO LOCK	QUICKIE & OTHER 7/8" TUBING	
<b>WHEEL LOCK EXTENSIONS (ALL SOLD AS PAIRS)</b>			
D RP245002	WHEEL LOCK EXTENSION, 6", STEEL, GRAY TIP, CRIMPED STYLE	INVACARE & OTHERS	
E RP245005	WHEEL LOCK EXTENSION, 8", STEEL, GRAY TIP, CRIMPED STYLE	INVACARE & OTHERS	
F RP245013	WHEEL LOCK EXTENSION, 6", STEEL, BLACK TIP, CRIMPED STYLE	INVACARE & OTHERS	
G RP245014	WHEEL LOCK EXTENSION, 8", STEEL, BLACK TIP, CRIMPED STYLE	INVACARE & OTHERS	
H 622020	WHEEL LOCK EXTENSION, 8", STEEL, GRAY TIP, CRIMPED STYLE	E&J AND OTHERS	
I 622025	WHEEL LOCK EXTENSION, 11-1/2", STEEL, GRAY TIP, CRIMPED STYLE	E&J AND OTHERS	
I 622040	WHEEL LOCK EXTENSION, 8", ALUMINUM, GRAY TIP, CRIMPED STYLE	E&J AND OTHERS	
J 622051	WHEEL LOCK EXTENSION, 8", BLACK ANODIZED, CRIMPED STYLE	E&J AND OTHERS	
K 622056	WHEEL LOCK EXTENSION, 11-1/2", BLACK ANODIZED, CRIMPED STYLE	E&J AND OTHERS	
L 622000	WHEEL LOCK EXTENSION, 7", BRAKE TIP STYLE	E&J AND OTHERS	
RP245020	WHEEL LOCK EXTENSION, 6", BLACK ANODIZED, W/BUNGIE CORD, CRIMPED STYLE	RP241006/RP246006 & SIMILAR STYLES	
<b>WHEEL LOCK SHOES</b>			
RP245017	SHOE SPACER, WHEEL LOCK, PAIR		

## TECH TIPS (FOR WHEEL LOCK EXTENSIONS):

\*INVACARE AND INVACARE COMPATIBLE CHAIRS TYPICALLY HAVE A 1/2" FLAT HANDLE

\*E&J AND E&J COMPATIBLE CHAIRS TYPICALLY HAVE A 5/8" FLAT HANDLE

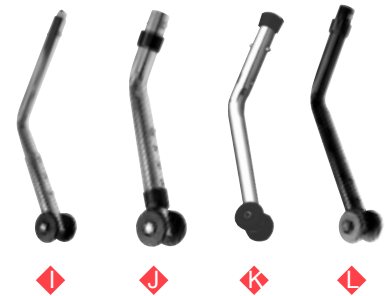
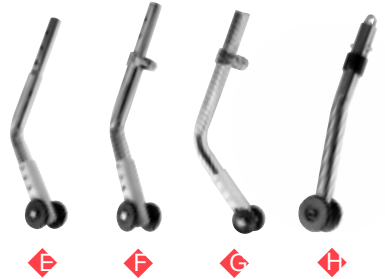
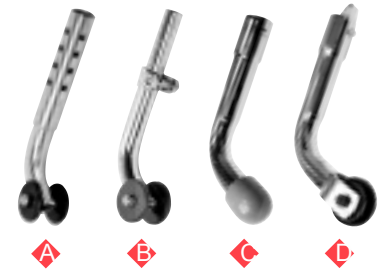
# ACCESSORIES



PART#	DESCRIPTION	TOFT	X
<b>HEADREST EXTENSIONS</b>			
<b>A</b> 586000	HEADREST, BOLT-ON, 20"W X 10"H UPHOLSTERY	MOST 18"W CHAIRS W/ BOLT-ON BACKS	
<b>B</b> AC1310__	HEADREST, HOOK-ON, COMPLETE, 18" X 15" UPHOLSTERY	MOST 18"W CHAIRS W/ 7/8" TUBING	
AC1320__	HEADREST, HOOK-ON, COMPLETE, 16" X 15" UPHOLSTERY	MOST 16"W CHAIRS W/ 7/8" TUBING	
AC1330__	HEADREST, HOOK-ON, UPHOLSTERY ONLY, 18" X 15" UPHOLSTERY		
AC1340__	HEADREST, HOOK-ON, UPHOLSTERY ONLY, 16" X 15" UPHOLSTERY		
586090CU	HEADREST EXTENSION, CUSTOM, BOLT-ON STYLE	MOST	
AC1300__	HEADREST EXTENSION, CUSTOM, HOOK-ON STYLE	MOST	
<b>HEADREST EXTENSION TUBES</b>			
<b>D</b> RP106001	ASSY., TUBE SUPPORT, L.H., 19" LONG	HOOK-ON HEADREST	
<b>C</b> RP101001	ASSY., TUBE SUPPORT, R.H., 19" LONG	HOOK-ON HEADREST	
<b>E</b> RP105001	TUBE, RECLINER INSERT (POST)	E&J HEADREST	
<b>F</b> RP215029	HEADREST, TUBE EXTENSION	INVA RECLINER	
<b>SEAT EXTENSION KITS</b>			
<b>G</b> RP125007	1" SEAT EXTENSION KIT	INVACARE 9000/SL/XT	
RP125008	2" SEAT EXTENSION KIT	INVACARE 9000/SL/XT	
<b>IV RODS (ALL MOUNT ON THE LEFT STEP TUBE)</b>			
<b>D</b> RP305007	IV ROD & BRACKET, TELESCOPIC, CHROME	INVACARE & OTHER 7/8" TUBING	
RP305020	ECONOMY IV ROD & BRACKET, TELESCOPING, CHROME LOCKS LIKE RP305011, BUT W/ 2 IV HOOKS	MOST CHAIRS WITH 7/8" AND 1" TUBING	
<b>D</b> RP305011	IV ROD & BRACKET, TELESCOPIC, CHROME	INVACARE & OTHER 1" TBG	
<b>IV RODS WITH OXYGEN HOLDERS (ALL MOUNT ON THE LEFT STEP TUBE)</b>			
<b>D</b> <b>IV</b> RP305012	IV ROD & BRACKET W/ OXYGEN HOLDER (E TANKS), BLACK W/ CHROME IV HOLDER	Measurements A 3/4" B 1-3/4"	MANY CHAIRS W/ 7/8" & 1" TUBING (WILL NOT FIT HEMI CHAIRS)
<b>D</b> <b>IV</b> RP305019	ECONOMY IV ROD & BRACKET W/OXYGEN HOLDER (E TANKS), CHROME	Measurements A 3/4" B 1-3/4"	MANY CHAIRS WITH 7/8" AND 1" TUBING (WILL NOT FIT HEMI CHAIRS)
<b>D</b> <b>IV</b> RP305022	IV ROD & BRACKET W/ OXYGEN HOLDER (E TANKS) BLACK W/ CHROME IV HOLDER	Measurements A 1-3/4" B 2-1/2"	INVA 9000XT/SL & OTHER DUAL AXLE CHAIRS
<b>OXYGEN HOLDERS (ALL MOUNT ON THE LEFT STEP TUBE)</b>			
<b>K</b> <b>IV</b> RP305015	OXYGEN HOLDER, E TANK, BLACK	Measurements A 3/4" B 1-3/4"	INVACARE 7/8" & 1" TBG
<b>K</b> RP305018	ECONOMY OXYGEN HOLDER, E TANK, CHROME	Measurements A 3/4" B 1-3/4"	MOST CHAIRS WITH 7/8" AND 1" TUBING (WILL NOT FIT HEMI CHAIRS)
<b>K</b> <b>IV</b> RP305024	OXYGEN HOLDER, E TANK, BLACK	Measurements A 1-3/4" B 2-1/2"	NVA 9000 XT/SL & OTHER DUAL AXLE CHAIRS
<b>K</b> 629050	OXYGEN HOLDER, HIGH MOUNT, E TANK (SPECIFY IF FOR D TANK)	Measurements A 8-1/8" B 9-1/8"	MOST 7/8" TUBING
<b>K</b> 629052	OXYGEN HOLDER, HIGH MOUNT, E TANK (SPECIFY IF FOR D TANK)	Measurements A 8-1/8" B 9-1/8"	MOST 1" TUBING
<b>AIRLIFT O2 CYLINDER &amp; LIQUID O2 UNIT CARRIERS (TIERED PRICING SUBJECT TO RESPIRATORY FORMAT)</b>			
<b>NEW</b> RP305006	LOX WHEELCHAIR/POWERCHAIR BACKPACK, BLUE MESH, ADJUSTABLE STRAPS, FRONT STORAGE POUCH	FITS MOST LIQUID O2 UNITS	
<b>NEW</b> RP305008	D/E CYLINDER CARRIER FOR WHEELCHAIR/SCOOTER	HOLDS 1 D/E CYLINDER ON WHEELCHAIRS & SCOOTERS	
<b>NEW</b> RP305010	M6/C CYLINDER CARRIER FOR WHEELCHAIR/SCOOTER	HOLDS 1 M6/C CYLINDER ON WHEELCHAIRS & SCOOTERS	

\*Highlighted areas denote most popular items.

PART#	DESCRIPTION	TOFT
<b>REAR ANTI-TIPPERS (All sold in pairs)</b>		
<b>A</b> 623060	BUTTON LOCKS OVER 7/8" TUBING, W/ WHEELS & PLUGS	LOW STEPTUBES (3" FROM TOP OF STEPTUBE TO FLOOR)
<b>B</b> 623070	CLAMPS OVER 7/8" TUBING, W/ WHEELS & PLUGS	LOW STEPTUBES (3" FROM TOP OF STEPTUBE TO FLOOR)
<b>C</b> RP175028	BUTTON LOCKS OVER 7/8" TUBING, W/ PLUGS	E&J STD CHAIRS & OTHERS W/ LOW STEPTUBES (3-1/2" FROM TOP OF STEPTUBE TO FLOOR)
<b>D</b> RP175029	BUTTON LOCKS OVER 7/8" TUBING, W/ WHEELS	E&J STD CHAIRS & OTHERS W/ LOW STEPTUBES (3-1/2" FROM TOP OF STEPTUBE TO FLOOR)
<b>E</b> 623084	BUTTON LOCKS INSIDE 7/8" TUBING, ADJ. LENGTH, W/ WHEELS & PLUGS	E&J METRO & OTHERS W/ STEPTUBES 5-1/2"-7" FROM FLOOR (FROM TOP OF STEPTUBE)
<b>F</b> 623074	CLAMPS OVER 7/8" TUBING, ADJ. LENGTH, W/ WHEELS & PLUGS	E&J METRO & OTHERS W/ STEPTUBES 5-1/2"-7" FROM FLOOR (FROM TOP OF STEPTUBE)
<b>G</b> 623073	CLAMPS OVER 1" TUBING, ADJ. LENGTH, W/ WHEELS & PLUGS	MOST 1" TUBING CHAIRS W/ STEPTUBES 5-1/2"-7" FROM FLOOR (FROM TOP OF STEPTUBE)
<b>H</b> RP235003	BUTTON LOCKS INSIDE 7/8" TUBING, W/ WHEELS	INVA: 900, 1000, 2000LT, EX/IMG (W/ "S" FRAMES), TRACER IV
<b>I</b> RP235004	BUTTON LOCKS INSIDE 7/8" TUBING, ADJ. LENGTH, W/ WHEELS	TRACER: TITAN/SX/DLX (W/ 8" CSTR)
<b>J</b> RP235002	BUTTON LOCKS INSIDE 7/8" TUBING, ADJ. LENGTH, W/ WHEELS	TRACER: TITAN/SX/DLX (W/ 6" CASTERS). ALL EX/IMG (W/ "BOX" FRAME)
<b>K</b> RP235020	BUTTON LOCKS INSIDE 1" TUBING, ADJ. LENGTH, W/ WHEELS	INVA: 2000/9000 (W/ DUAL AXLE POSITION), YM9000
<b>L</b> RP235015	BUTTON LOCKS INSIDE 1" TUBING, W/ WHEELS	INVA: 2000/9000 (SINGLE AXLE), 2000/9000XT RECLNRS (W/ 24" WHEELS), 4000. E&J PREMIER 2
<b>M</b> RP235022	BUTTON LOCKS INSIDE 1" TUBING, ADJ. LENGTH, W/ WHEELS	INVA: 9000XT/SL (W/ 8" CASTERS)
<b>N</b> RP235000	BUTTON LOCKS INSIDE 1" TUBING, ADJ. LENGTH, W/ WHEELS	INVA: 9000XT/SL & PATRIOT SL (ALL W/ 6" CASTERS). ALL 9000XDT (EXCEPT TALL)
<b>O</b> RP235021	BUTTON LOCKS INSIDE 1" TUBING, ADJ. LENGTH, W/ WHEELS	INVA: PATRIOT W/ 8" CASTERS (BEFORE 6/24/99)
<b>P</b> RP235023	BUTTON LOCKS INSIDE 1" TUBING, ADJ. LENGTH, W/ WHEELS	INVA: PATRIOT W/ 8" CASTERS (AFTER 6/23/99)
<b>Q</b> RP235024	BUTTON LOCKS OVER 7/8" TUBING, ADJ. LENGTH, W/WHEELS	BREEZY 100 & 150
<b>R</b> RP235026	BUTTON LOCKS INSIDE 1" TUBING, ADJ. LENGTH, W/WHEELS	BREEZY: ALL 500 MODELS, SOME 510/510 RECLINER MODELS. SAME AS SUNRISE PART #900773
<b>S</b> RP235028	BUTTON LOCKS INSIDE 1" TUBING, ADJ. LENGTH, W/WHEELS	BREEZY: SOME 510/510 RECLINER MODELS. SAME AS SUNRISE PART #900770
<b>T</b> RP235030	BUTTON LOCKS INSIDE 1" TUBING, ADJ. LENGTH, W/WHEELS	BREEZY: SOME 510/510 RECLINER MODELS. SAME AS SUNRISE PART #900771
<b>U</b> RP235032	BUTTON LOCKS INSIDE 7/8 RECEIVERS (NOT INCLUDED), ADJ. LENGTH, W/WHEELS	BREEZY: REAR FOR SOME 510 ULTRA HEMI & 600 MODELS. FRONT FOR SOME QUICKIE 2/LX/ZIPPETTS MODELS. SAME AS SUNRISE PART #900703
<b>V</b> RP235034	BUTTON LOCKS INSIDE 7/8 RECEIVERS (NOT INCLUDED), ADJ. LENGTH W/WHEELS	QUICKIE: REAR FOR 2/GP/TI/ RECLINER/ZIPPETTS MODELS. SAME AS SUNRISE PART #900833



\*Highlighted areas denote most popular items.

PART#	DESCRIPTION	TOFT
<b>POUCHES</b>		
AC0210__	POUCH, CHART HOLDER, BOLT-ON, 14-1/4" X 14-1/4"	
<b>A</b> AC0212__	POUCH, CHART HOLDER, HOOK-ON, 14-1/4" X 14-1/4"	
AC0230__	POUCH, BOLT-ON, W/STRAPS, 17 X 9 X 2	
<b>E</b> AC0232__	POUCH, HOOK-ON, W/LOOPS, 17 X 9 X 2	
AC0233__	POUCH, HOOK-ON, W/LOOPS, 13 X 12 X 4	
AC0234__	POUCH, HOOK-ON, W/LOOPS & LINER, 16 X 14 X 4	
<b>C</b> 570000	POUCH, ARMREST, DESK LENGTH	
<b>D</b> 570100	POUCH, ARMREST, FULL LENGTH	
<b>E</b> 570500	POUCH, SINGLE POCKET, SNAP, NO FLAP	
<b>F</b> 570700	POUCH, SINGLE POCKET, NO SNAP, NO FLAP	
<b>C</b> 570900	POUCH, SINGLE POCKET, SNAP W/FLAP	
<b>F</b> 570740	POUCH, SINGLE POCKET, VINYL, CLEAR	
571700	POUCH, BACK PACK, NYLON, 16-20" CHAIRS (16X16X4)	
AC020000	POUCH, CUSTOM	
<b>REPLACEMENT SLINGS</b>		
<b>D</b> AC028000	CANVAS SLING (REPL FOR HOYER 112-C-LD & INVACARE9042)	
<b>J</b> AC028001	CANVAS SLING W/COMMODE OPENING (REPL FOR HOYER 113-C-LC & INVACARE9043)	
AC028002	DACRON MESH SLING, WHITE (REPL FOR HOYER 112-D-LC & INVACARE9046)	
AC028003	DACRON MESH SLING, BLUE, W/COMMODE OPENING (REPLT FOR HOYER 113-D-LC & INVACARE9047)	
<b>CROSSBRACE BOLT</b>		
<b>K</b> 772500	BOLT AND NUT FOR CROSSBRACE, 5/16" - 24	MOST CONVENTIONAL CHAIRS



Your #1 Source